

# Challenger10 Control Panel

## TS1016



### Overview

Challenger10 is an advanced security solution designed for the commercial and corporate sector and is the perfect solution for the security requirements of banks, retail outlets, educational facilities and more. Challenger10 is a modular system which can be scaled for almost any application, from small to large commercial installations. With thousands of programmable options, Challenger10 has been designed to meet any security and access requirement and can be tailored to your own security policies.

Designed and built with the latest technology for superior access control and integrated networking, Challenger10 is the result of significant research and development, built on the successful foundations of Challenger V8 and its peripherals.

With 99 areas, Challenger10 can be partitioned with no loss of performance, whether you are using one or all 99 areas, which is due to the onboard 32-bit micro processor. Tailor your own solution by using the many configuration options to suit your site's requirements. Your system can be customised to individually arm areas by time and location, which gives you incredible flexibility to protect people and assets.

Challenger10 has been designed heavily around corporate network requirements. An integrated onboard Ethernet port allows remote reporting and management of your system on a Local or Wide Area Network (LAN/WAN).

Power efficiency and protection are a key feature with the onboard management system. This ensures that the Challenger10 battery is constantly charged and your current and voltage can be monitored via an LCD keypad.

Whilst maintaining backwards compatibility to legacy V8 peripherals, Challenger10 gives you the ability to upgrade your current Challenger system, allowing more scale and benefits than ever before. Existing Challenger sites can benefit from significantly reduced installation times when upgrading from a V8 to the feature-rich Challenger10 panel, saving you time and money. The onboard USB port and Tecom Firmware Loader application make firmware updates easy.

Multiple communication paths operate various reporting formats and give you the ability to communicate to multiple control rooms and software packages simultaneously. The communication paths can filter by areas, events and time.

This, along with many other features, makes Challenger10 the best solution for your security needs.

### Features

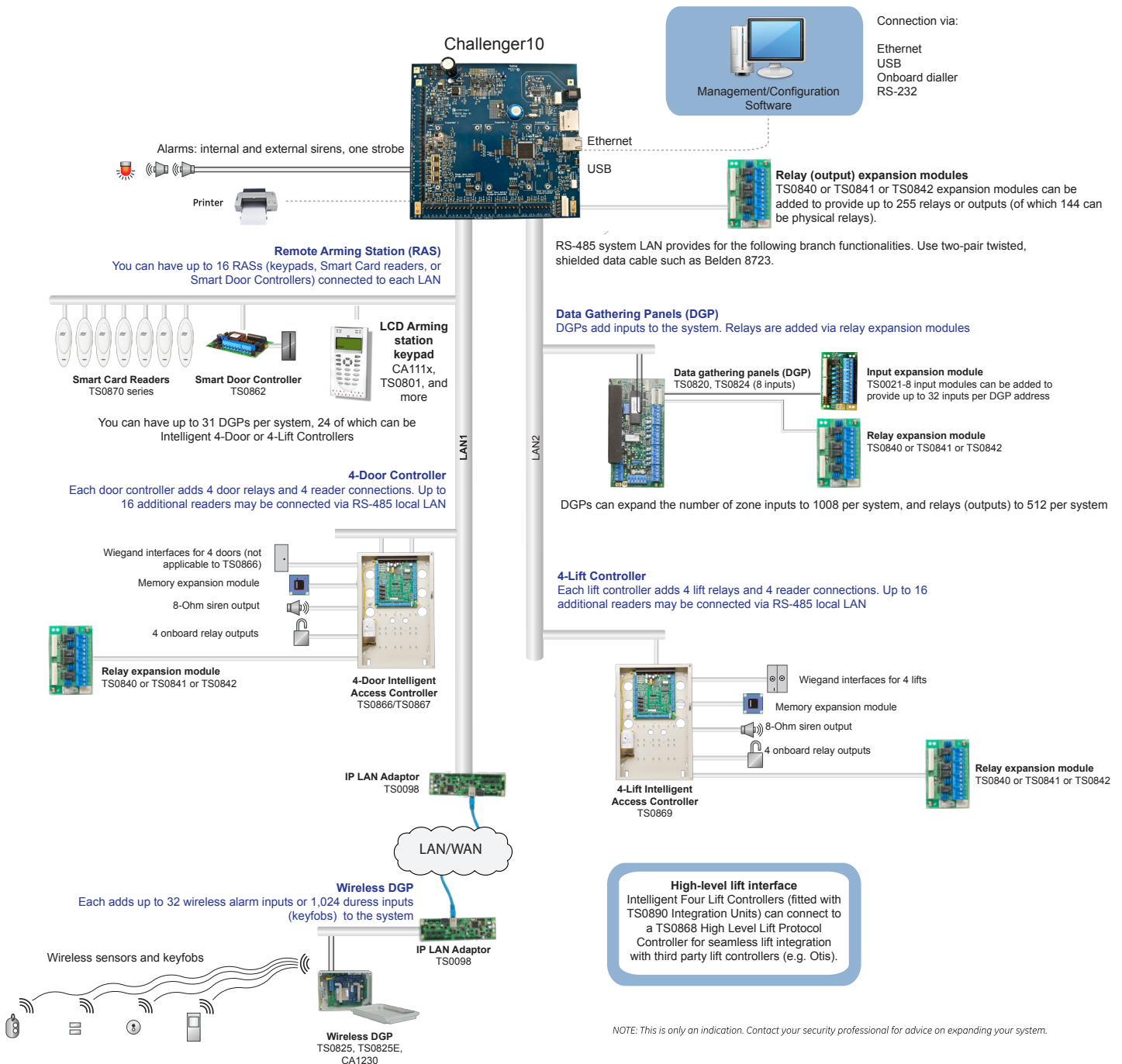
- Fully backwards compatible with Challenger V8 peripherals
- Challenger10 panel stores 10,000 events
- Programmable via LCD keypad arming stations or via Interlogix security management software
- Arming and disarming can be automated to occur at particular times, days and/or when particular events occur in a system
- Defined holidays can span multiple days, and can be repeated annually
- Intelligent onboard power supply where the panel's power usage can be checked via LCD keypad
- Multiple internal areas can be linked to a perimeter area to control your site's entry/exit procedures
- Simplified cabling to avoid the use of earth wires to Communications Earth Terminals (CETs)
- Auto resettable fuse protection for LANs, auxiliary power and siren as well as internal protection for mains power supply
- Flash upgradable firmware

# Powerful system architecture

The Challenger10 panel is the heart of the system, and comprises a modular 'add as you go' design. By adding intelligent door and/or lift controllers, input/output expanders, memory expanders and LAN devices, you can cost-effectively add capacity and functionality as it is required. Multiple panels can be networked into one system via management software.

Challenger uses cost-effective and reliable RS-485 data bus technology that is capable of running long distances while minimising cable runs. Challenger LAN data can even be carried by optical fibres or over IP (optional interface modules required).

## System diagram



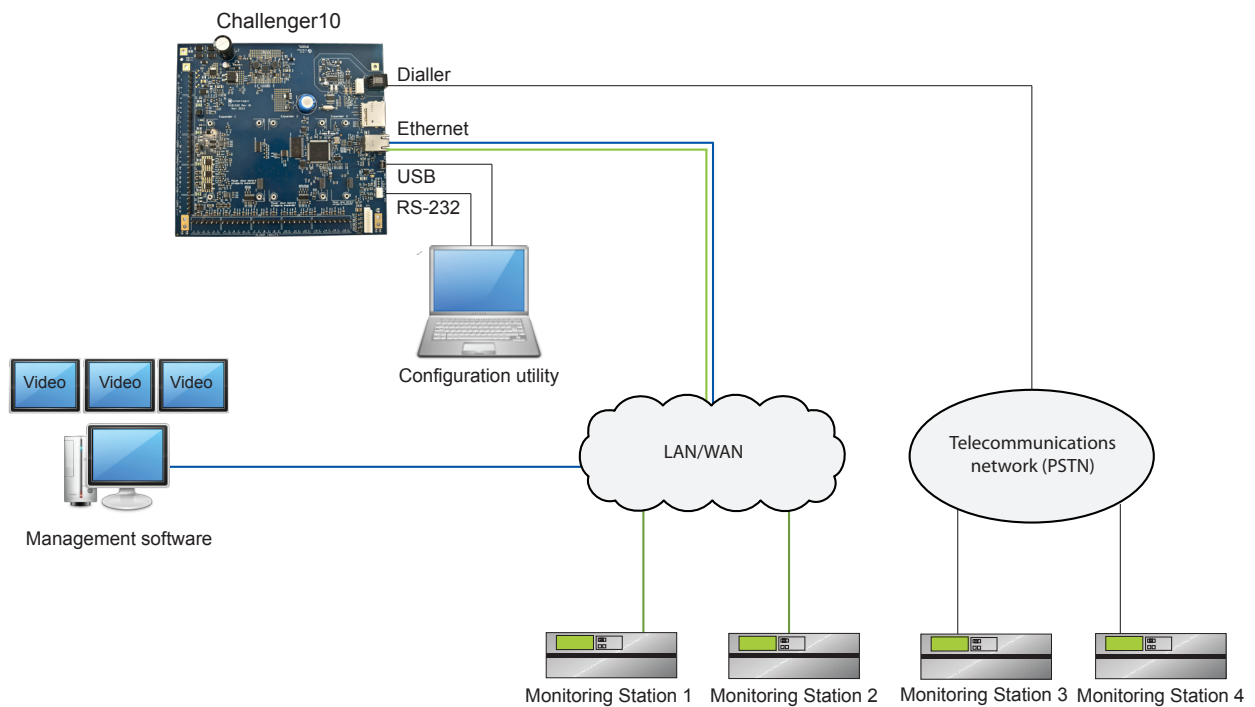
## Communication technology

The Challenger10 panel uses advanced communication path technology and provides the perfect solution and flexibility for your security needs.

With Challenger10 you have the ability to filter by area, events and time, while communicating via multiple reporting formats.

Multi-tenanted sites can report alarms to their preferred security monitoring provider on a single panel and multiple paths over one Ethernet port, simultaneously.

## Communication system diagram



## ORDERING INFORMATION

TS1016	Challenger10 panel with plug pack in TS0307 enclosure
TS1016B	Challenger10, board only

## SPECIFICATIONS

### System Features

Areas	99
Area groups	255
Inputs on board	16
Max. system inputs	1008
Outputs on board	Two 8 Ohm sirens, internal and external, 1 strobe. The external siren is monitored for tamper conditions
Supports access control	Yes
Supports lift control	Yes
Max. access control doors	96 when using TS0867 or TS0866 plus 32 RAS doors when using TS0862
Anti-passback	Yes (requires TS0866/TS0867)
SD Card	Onboard
Management software connection options	Onboard Ethernet Interface Onboard USB connection RS-232 serial connection using the Challenger panel's onboard serial port Modem connection using the Challenger panel's onboard modem (dialler)
IP connectivity	Yes (10/100) onboard
Modem	Onboard 56K modem
Relays or outputs	Use expansion modules and DGPs to add up to 512 relays or outputs
Macro logic programs	48
Input shunts	32
Reporting formats	Contact ID Large, Computer polled, Computer Event Driven, SecureStream, Serial STU and Printer
Communications bus	RS-485 x 2
Maximum cabling distance	1,500 m (unless extended by LAN Isolation Interfaces, fibre or IP LAN Adapter)

### System Capacity

Users	2,000 built-in with name and 10-digit pin expandable to 65,535
Alarm groups	255
Door groups	255
Floor groups	128
Alarm log	5,000
Access log	5,000
Holidays/Special days	24
Time zones	48 'hard' time zones plus 16 'soft' time zones
Communication Paths	10 simultaneous
Text words	Text words 544 standard words plus 400 custom words

### Physical and Environmental

Operating temperature	0 to 50°C @ 90% relative humidity (non condensing)
Dimensions in enclosure (W x H x D)	345 x 450 x 73 mm
Weight	4.31kg (installation weight, no plug pack) 5.95kg (shipping weight)

### Regulatory Compliance

	ACMA: C-Tick for Australia and New Zealand ACMA: A-Tick for Australia
--	--

### Electrical

Input voltage to PCB	16-18VAC (space for 7 Ah battery allocated)
Battery test	Dynamic battery testing
Fuse Protection	Individual PTC (Positive Temperature Coefficient) fuse protection for: LAN, battery, auxilliary and internal siren, plug pack, ext siren strobe, relay expansion and J15 serial

### Current Consumption

Total current limit	1300mA
Operating Current (no peripherals connected)	200mA no battery fitted
Auxiliary intelligent power supply	800mA
Intelligent battery charging	300mA

Specifications subject to change without notice.

© 2013 Interlogix.

All rights reserved.

Interlogix is part of UTC Climate, Controls & Security,  
a unit of United Technologies Corporation.

